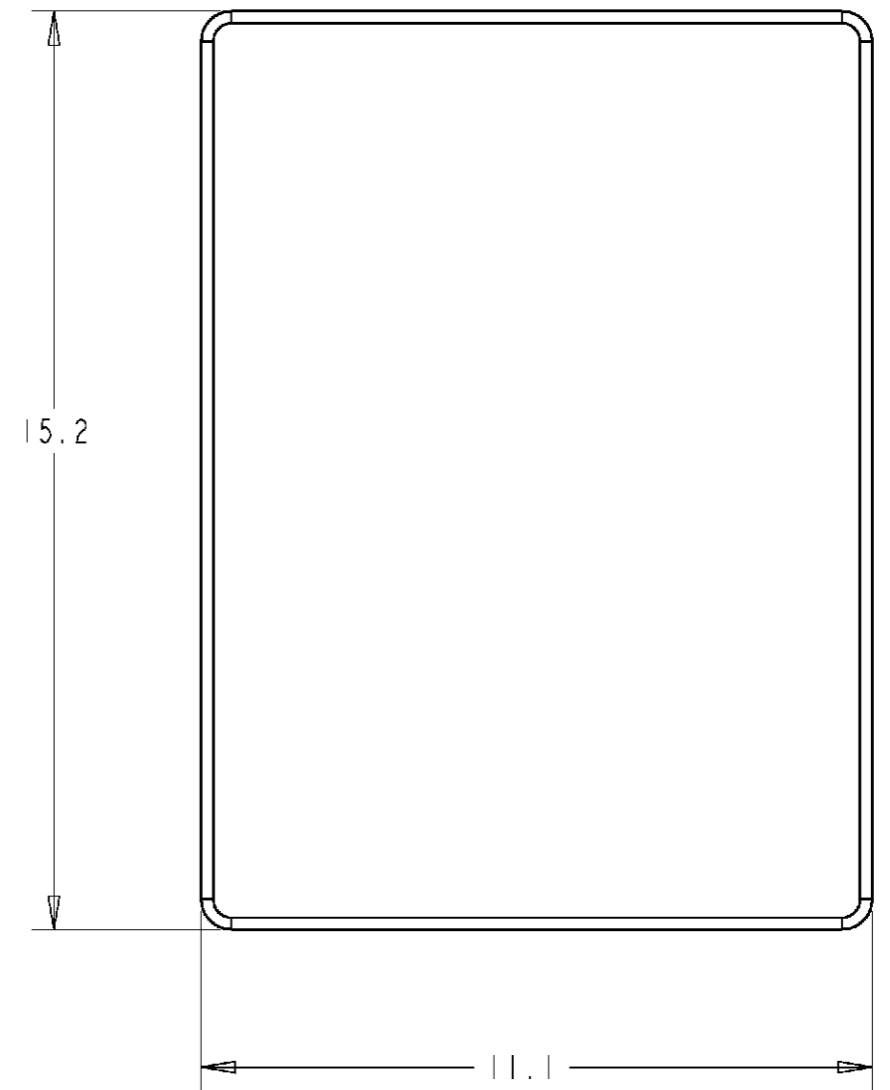
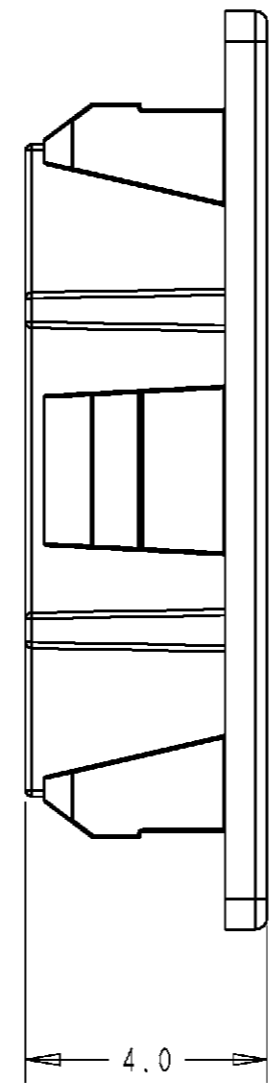
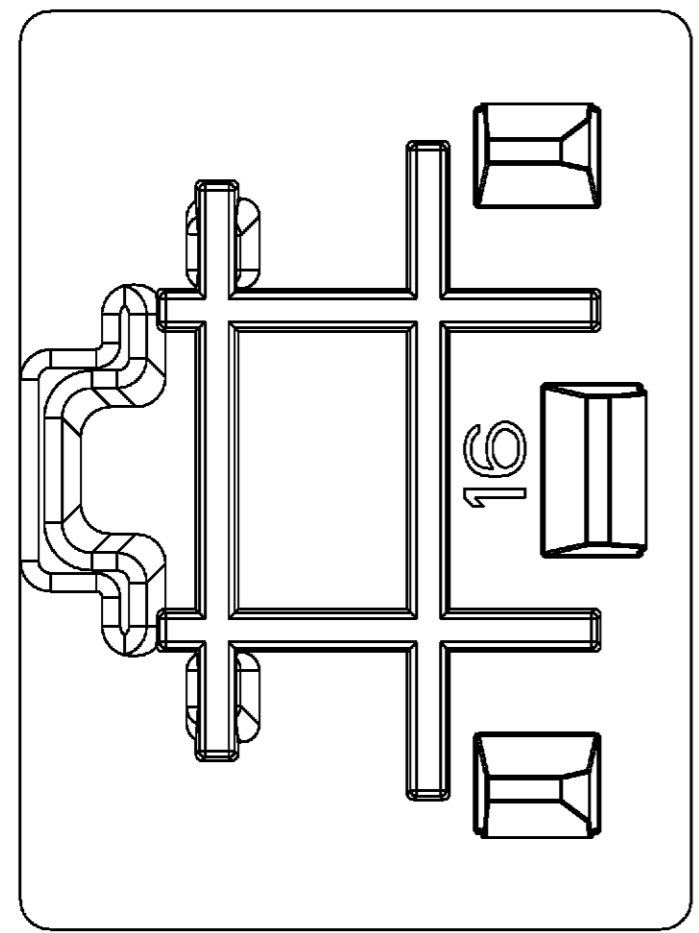


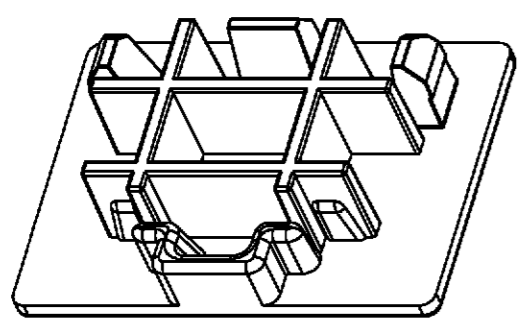
THIS DRAWING IS UNPUBLISHED. RELEASED FOR PUBLICATION 2000
 © COPYRIGHT 2000 BY TYCO ELECTRONICS CORPORATION. ALL RIGHTS RESERVED.

LOC	DIST	REVISIONS					
		P	LTR	DESCRIPTION	DATE	DWN	APVD
GW	-		A	EH00-1277-99	28 JUN 99	-	-
			B	SR10-0420-01	28 SEP 01	KV	-



PACKAGING: 50.000 PCS IN A BOX

BLACK, DULL FINISH	G.F. NYLON	188729-1
COLOR	MATERIAL	PARTNUMBER



3D VIEW
SCALE 4:1

<small>THIS DRAWING IS A CONTROLLED DOCUMENT FOR TYCO ELECTRONICS CORPORATION IT IS SUBJECT TO CHANGE AND THE CONTROLLING ENGINEERING ORGANIZATION SHOULD BE CONTACTED FOR THE LATEST REVISION.</small>		DWN	-	Tyco Electronics Oostkamp - Belgium
DIMENSIONS: mm		CHK	M.v.ESSEN	
		APVD	M.v.ESSEN	NAME
TOLERANCES UNLESS OTHERWISE SPECIFIED: 0 PLC ± 1 PLC ± 2 PLC ±0.15 3 PLC ± 4 PLC ± ANGLES ±		PRODUCT SPEC	-	SOLDER STOP/COVER FOR 8 POSITION MODULAR JACK
MATERIAL	-	APPLICATION SPEC	-	SIZE
FINISH	-	WEIGHT	-	CAGE CODE
		CUSTOMER DRAWING	SCALE 8:1	DRAWING NO
			SHEET 1 OF 1	RESTRICTED TO
			REV B	